

Aria Wheels Srls

Registered Office_Via della Divisione Torino, 92 00143 Rome - Italy
Production Department_Via A.Volta 7/G 36030 Costabissara (VI) - Italy
TEL. / FAX +39 04441322533 | VAT id IT 12848301003 | email : info@ariawheels.com

BKRTK

KID

Aria® BKRTK, super-light, perfectly adaptable to the dorsolumbar segment. Assure a good containment without inhibiting the movement of bust and upper limbs.

Shell material: Epoxy painted aluminium
Standard features: a series of holes which allow to adjust the height, universal central clamp for OD 19 / 22 / 25 mm tubes.
The shell provided with a 30mm high-density foam padding and its relative cover is fire-resistant and moisture-wicking fabric.

Maximum user weight: 75 Kg
Transport weight ± 0.9 kg

€ 610,00

WITH STANDARD FEATURES
(VAT and shipping cost not included)

In some countries the price may change by 15%

CUSTOMER NAME AND SURNAME: _____ QUOTATION _____ ORDER _____
DEALER NAME: _____ DELIVERY ADDRESS: _____
PRODUCT SPECIALIST: _____ ORDER NUMBER AND DATE: _____

Before filling the boxes below regarding the sizes , please see the backrests technical scheme. Aria Wheels Srls in order to avoid mistakes on the order form, suggests to contact a qualified person for taking the measurements. Aria Wheels can not make changes to the product after receiving the order form.

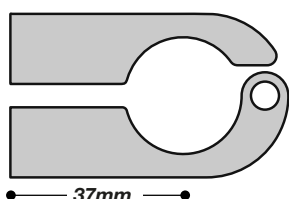
FOR SPECIAL NEEDS, PLEASE NOTE THE REQUESTS BELOW:

BACKREST SUPPORT FOR RIGID FRAME WHEELCHAIR (ALCMT36)

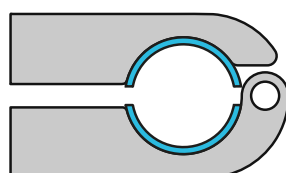


The backrest height, angle and depth are adjustable thanks to the clamp.

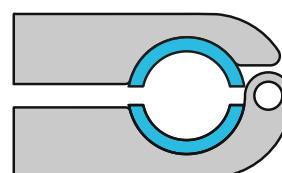
The clamp can be mounted on tubes 25mm, 22mm and 19mm diameter



37mm
Ø 25mm

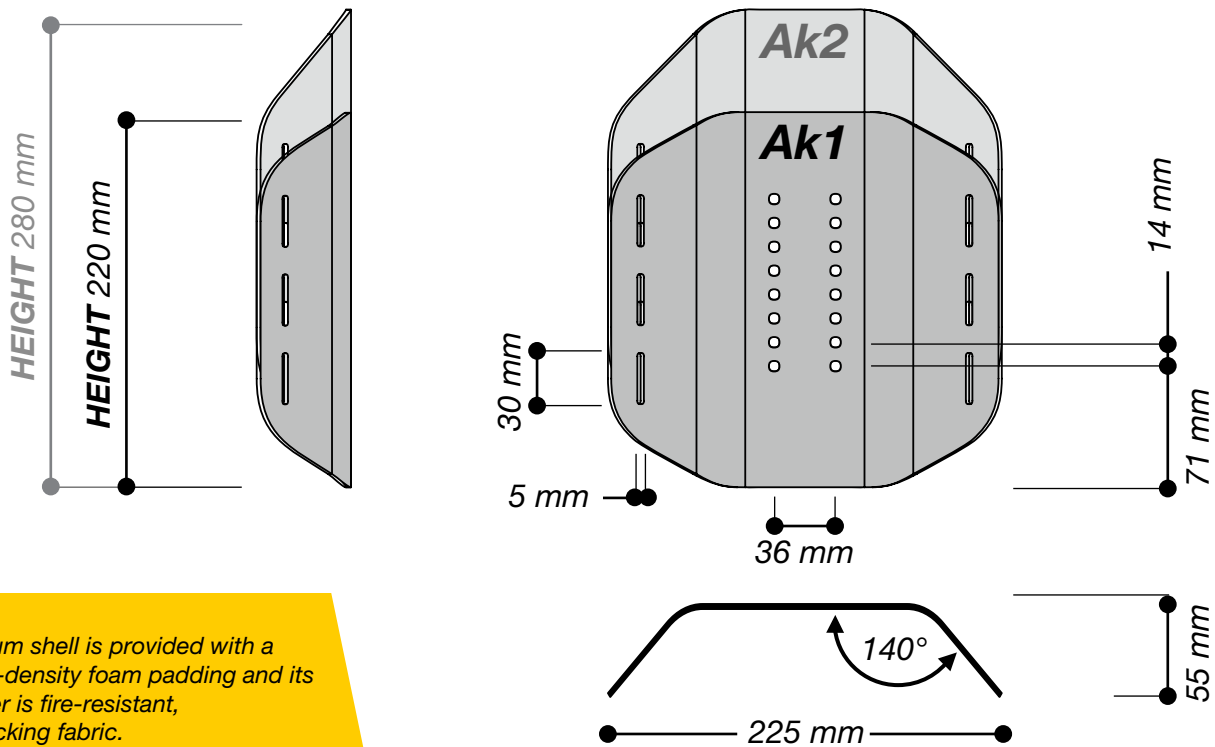


Ø 22mm



Ø 19mm





The aluminium shell is provided with a 30mm high-density foam padding and its relative cover is fire-resistant, moisture-wicking fabric.

The Ø 6.2mm holes position does not change compared to the different backrest dimensions and typologies

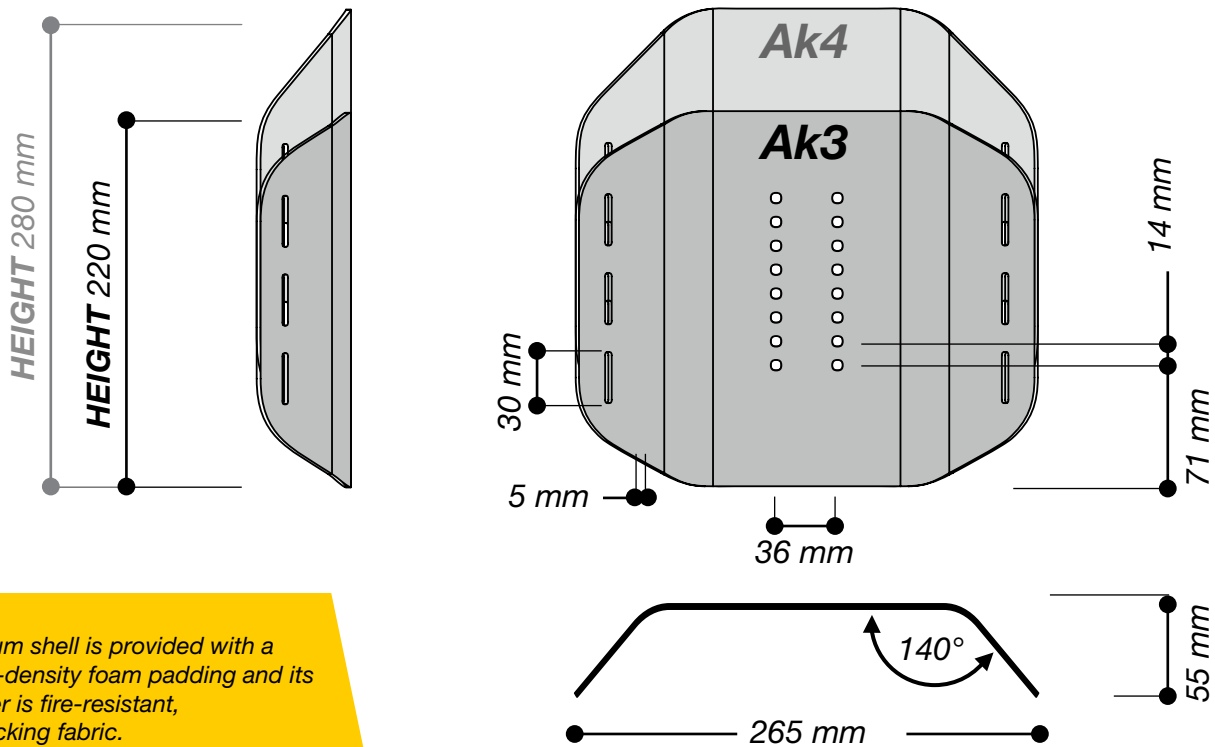
ALUMINIUM BACKREST Ak2 WEIGHT (including padding) = ± 850 gr

Select your preference with a flag in the box

AVAILABLE SHELL SIZES			NEW
	Ak1	Size Ak1 height 220 mm width 225 mm	610,00 €
	Ak2	Size Ak2 height 280 mm width 225 mm	610,00 €

BACKREST SUPPORT - central clamp			
	ALCMT36	Backrest support for rigid frame wheelchair*	STD
* Indicates below the model of the wheelchair and the diameter of the tube to fix the clamp - See the last page			
Wheelchair model:	Diameter of the tube to mount the clamp	ALCMT36.1	Ø 19mm
		ALCMT36.2	Ø 22mm
		without any adapter	Ø 25mm





The aluminium shell is provided with a 30mm high-density foam padding and its relative cover is fire-resistant, moisture-wicking fabric.

The Ø 6.2mm holes position does not change compared to the different backrest dimensions and typologies

Select your preference with a flag in the box

AVAILABLE SHELL SIZES			NEW
Ak3	Size Ak3 height 220 mm width 265 mm		610,00 €
Ak4	Size Ak4 height 280 mm width 265 mm		610,00 €

BACKREST SUPPORT - central clamp			
ALCMT36	Backrest support for rigid frame wheelchair*		STD

* Indicates below the model of the wheelchair and the diameter of the tube to fix the clamp - See the last page

Wheelchair model:	Diameter of the tube to mount the clamp	ALCMT36.1	Ø 19mm
		ALCMT36.2	Ø 22mm
		without any adapter	Ø 25mm

